
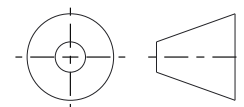


Notes:

1. Diameter & Thread / Width: 12MM - 1.75
2. Finish (coating): PLAIN
3. Grade / Class (metric): ALLOY
4. Head Style / Add-On's: FLAT
5. Length / Thickness: 20MM
6. Material: STEEL
7. Type Item: SOCKET CAP FULL THREAD

 https://test.find3dcad.com/		THIRD ANGLE PROJECTION 	
<p>This file and the related information are provided for reference only and may change without notice. FIND 3D CAD does not guarantee the accuracy, completeness, or suitability of this file or the information provided. You are responsible for how you use this file and its information.</p>		<p>This document is the property of FIND 3D CAD. The information in it may not be copied, shared, or given to any third party without written permission from FIND 3D CAD.</p>	
DESCRIPTION 12MM - 1.75 X 20MM PLAIN ALLOY STEEL FULL THREAD FLAT HEAD SOCKET CAP SCREW		TITLE Flat Head Screws	
Sheet Size	PART NUMBER	Rev.	ISSUED
A	MFSCS1217520FT	01	2026-06-03
SCALE: 2.892		Unless otherwise specified Dimensions are in MILLIMETERS	